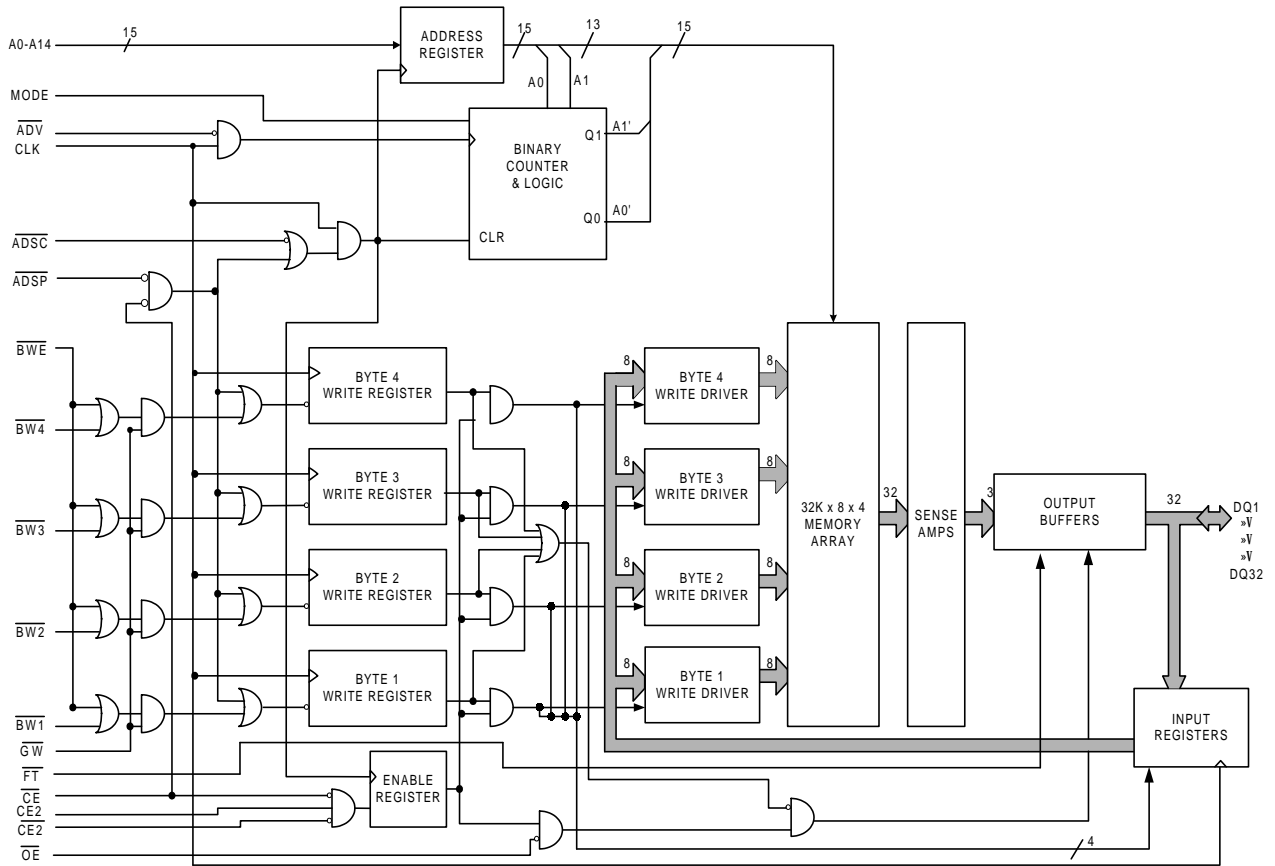




**FUNCTIONAL BLOCK DIAGRAM**

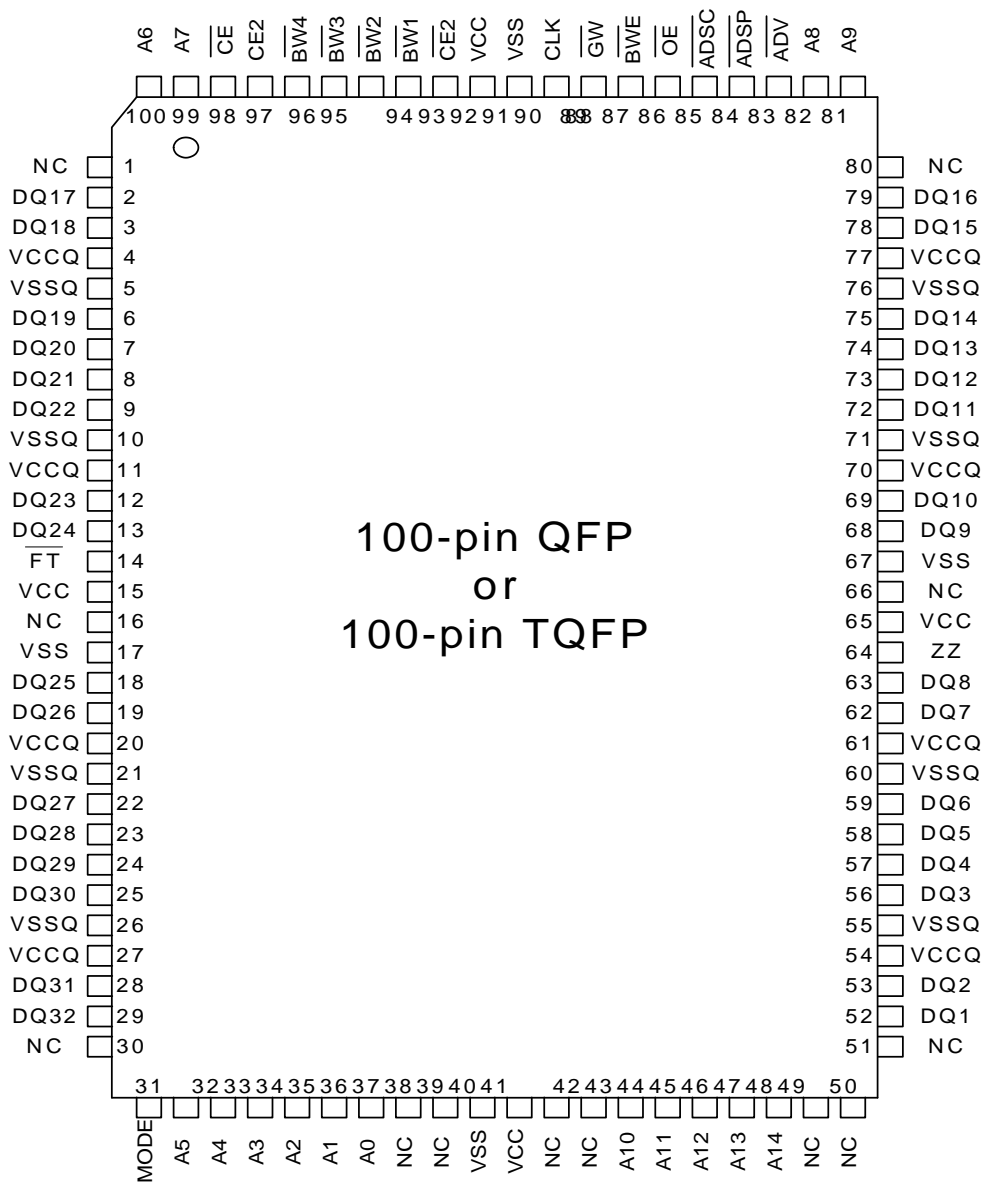
**1**



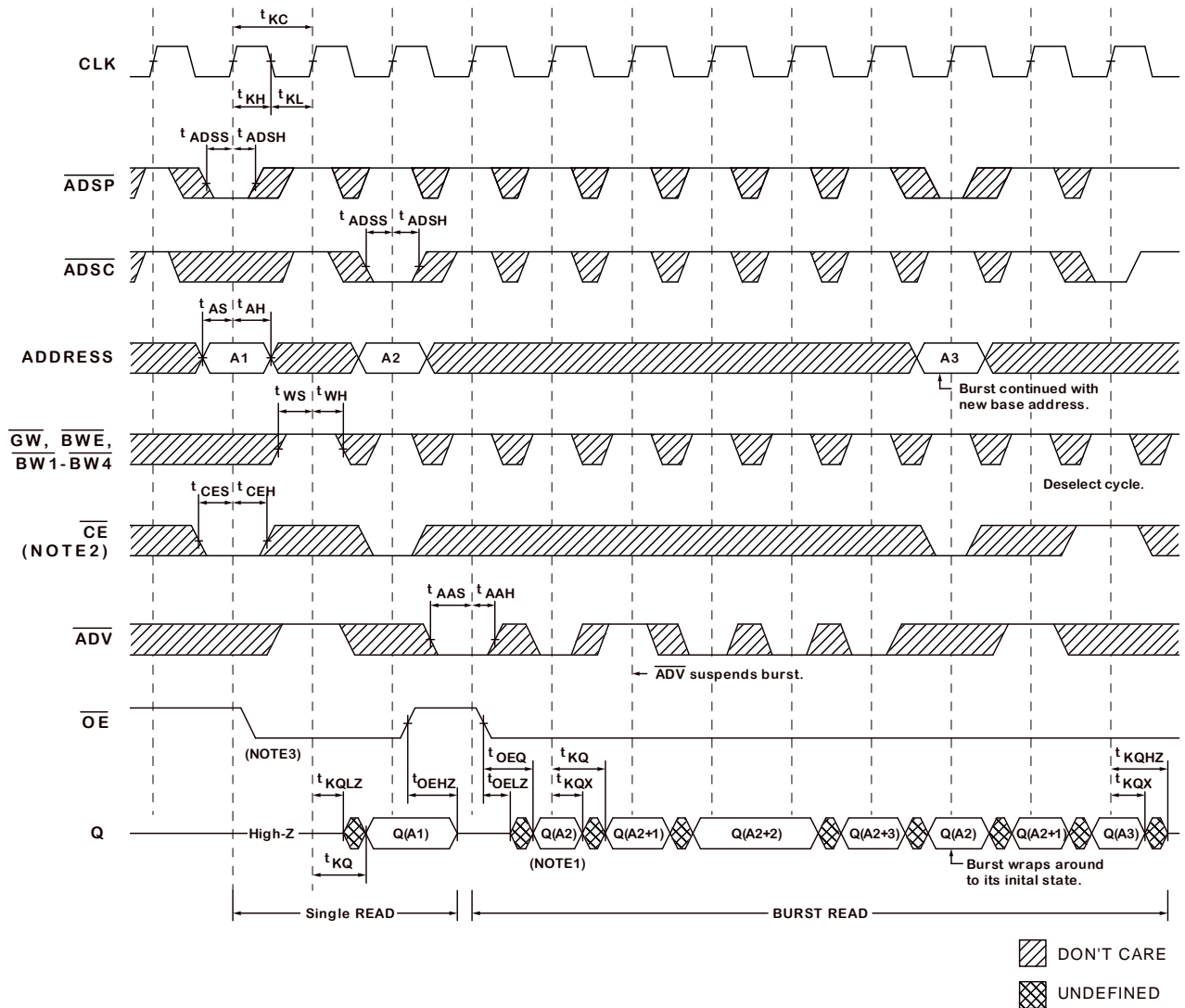
**1**

Note: The Functional Block Diagram illustrates simplified device operation. See Truth Table, pin descriptions and timing diagrams for detailed information.

**PIN ASSIGNMENT (Top View)**

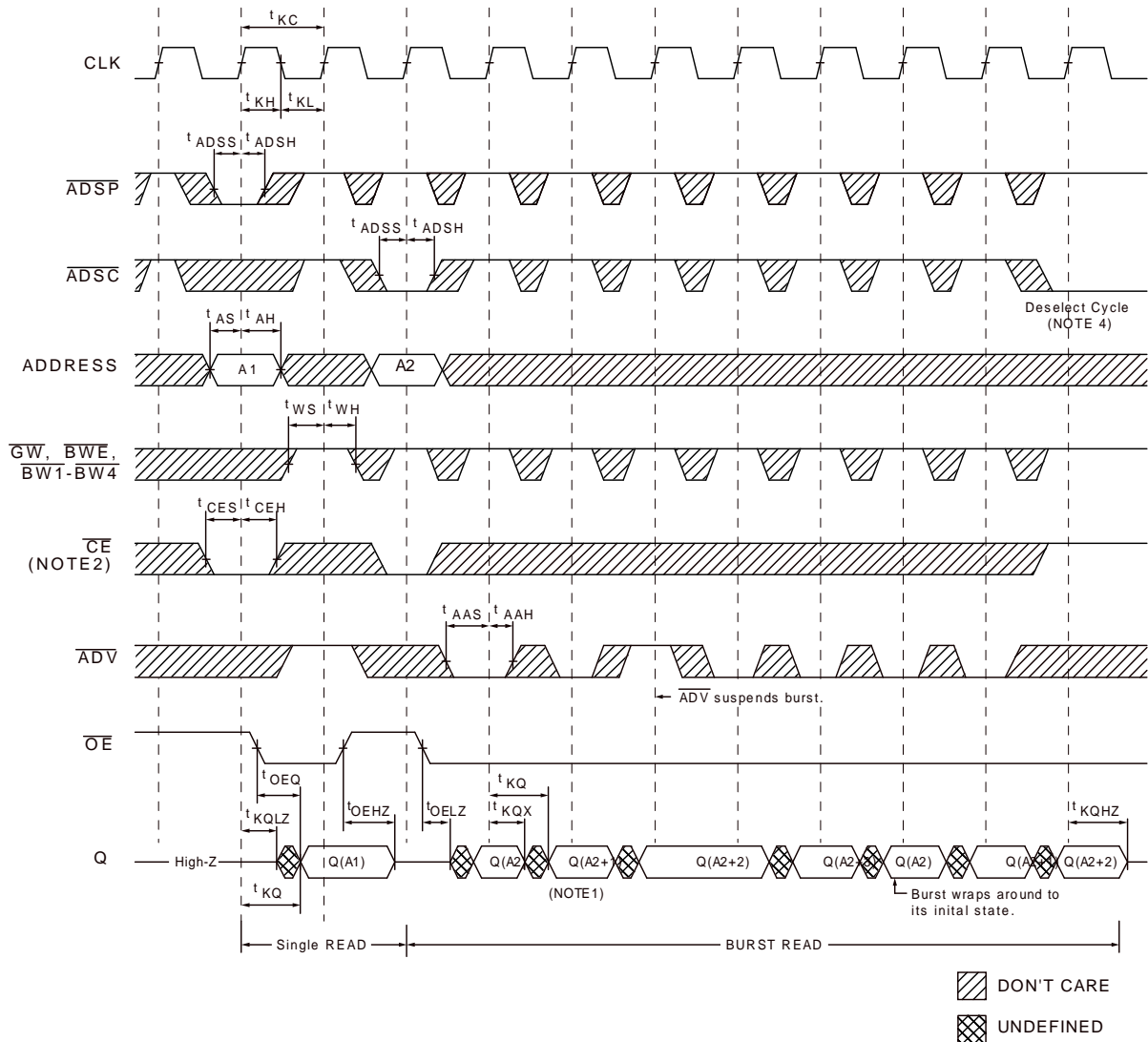


**PIPELINE READ TIMING**



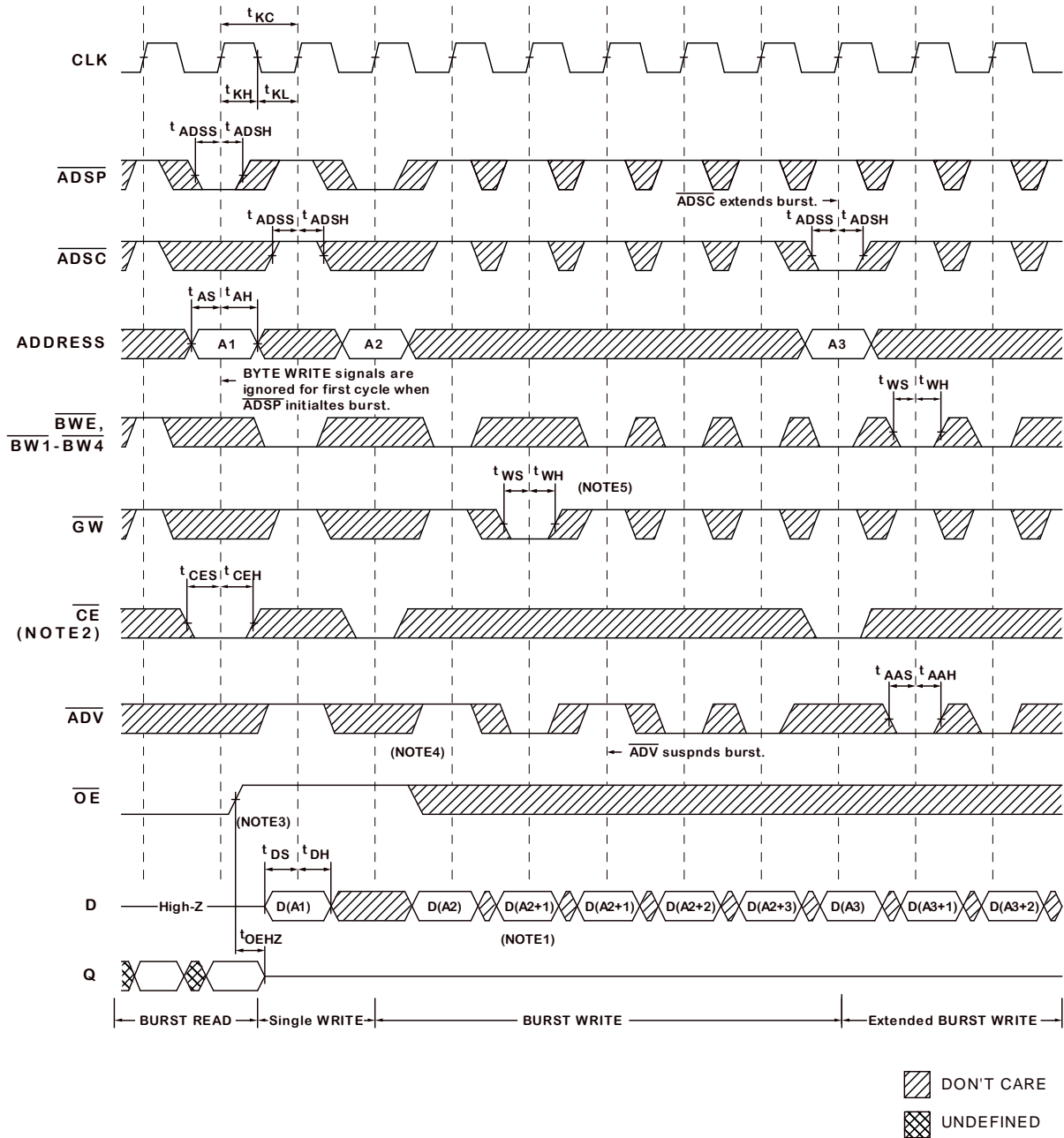
- Note:**
1. Q(A2) refers to output from address A2. Q (A2 + 1) refers to output from the next internal burst address following A2.
  2.  $\overline{CE2}$  and CE2 have timing identical to  $\overline{CE}$ . On this diagram, when  $\overline{CE}$  is LOW,  $\overline{CE2}$  is LOW and CE2 is HIGH. When  $\overline{CE}$  is HIGH,  $\overline{CE2}$  is HIGH and CE2 is LOW.
  3. Timing is shown assuming that the device was not enabled before entering into this sequence.  $\overline{OE}$  does not cause Q to be driven until after the following clock rising edge.

**FLOW-THROUGH READ TIMING**



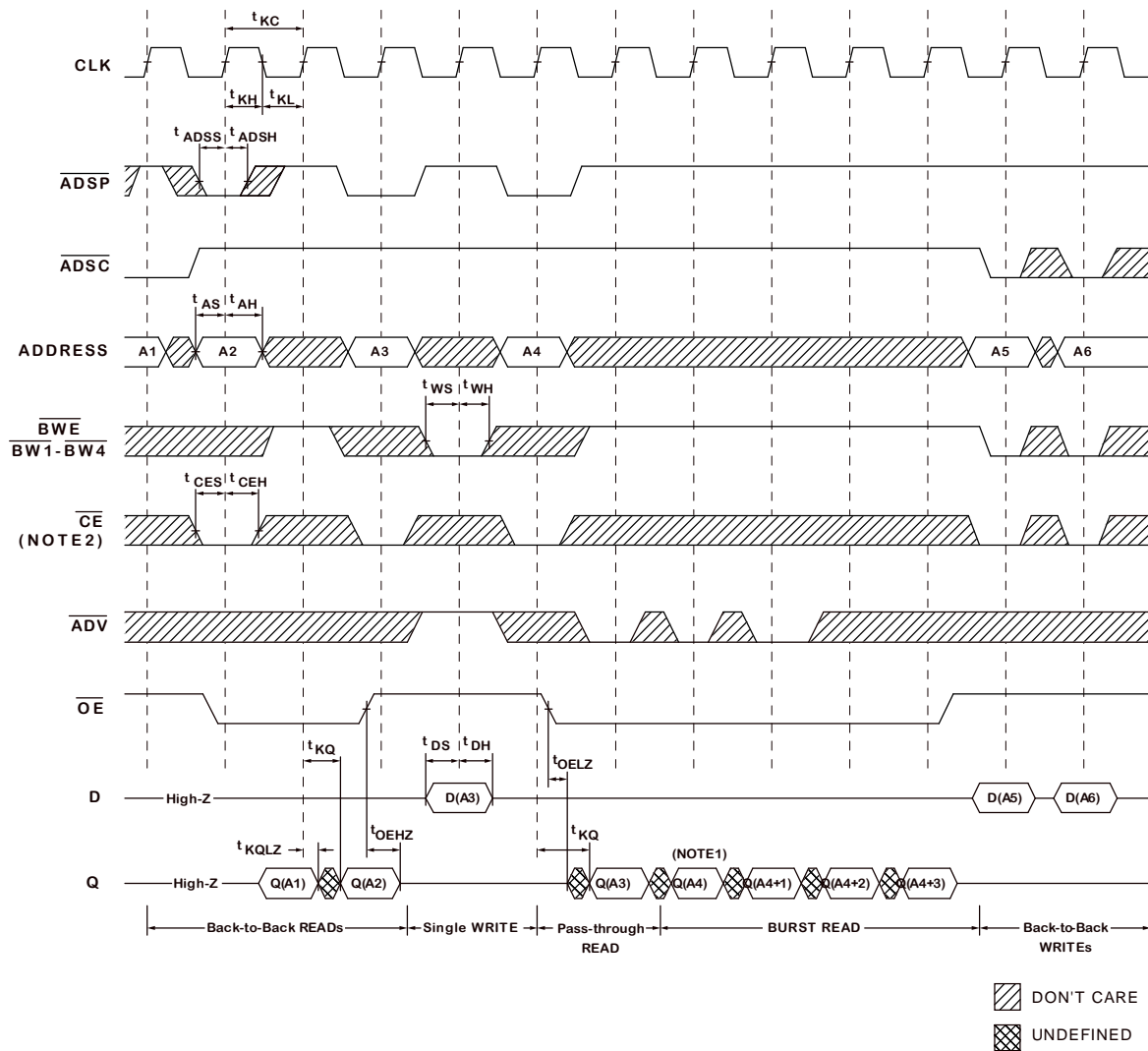
- Note:**
1. Q(A2) refers to output from address A2. Q (A2 + 1) refers to output from the next internal burst address following A2.
  2.  $\overline{CE2}$  and CE2 have timing identical to  $\overline{CE}$ . On this diagram, when  $\overline{CE}$  is LOW,  $\overline{CE2}$  is LOW and CE2 is HIGH. When  $\overline{CE}$  is HIGH,  $\overline{CE2}$  is HIGH and CE2 is LOW.
  3. Timing is shown assuming that the device was not enabled before entering into this sequence.  $\overline{OE}$  does not cause Q to be driven until after the following clock rising edge.
  4. Output are disabled  $t_{KQHZ}$  after deselect.

**WRITE TIMING**



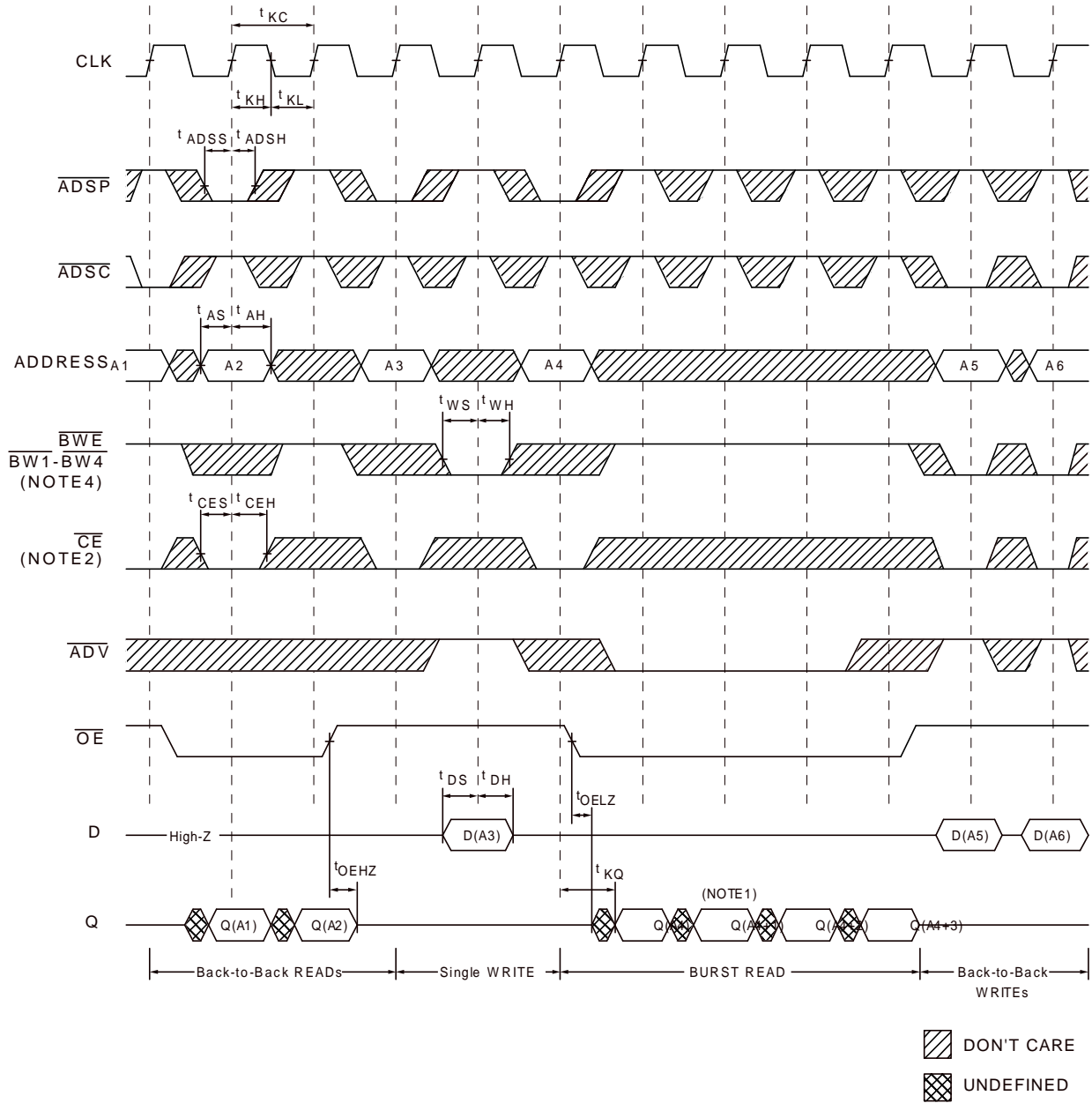
- Note:**
1. Q(A2) refers to output from address A2. Q(A2 + 1) refers to output from the next internal burst address following A2.
  2.  $\overline{CE2}$  and CE2 have timing identical to  $\overline{CE}$ . On this diagram, when  $\overline{CE}$  is LOW,  $\overline{CE2}$  is LOW and CE2 is HIGH. When  $\overline{CE}$  is HIGH,  $\overline{CE2}$  is HIGH and CE2 is LOW.
  3.  $\overline{OE}$  must be HIGH before the input data setup and hold HIGH throughout the data hold time. This prevents input/output data contention for the time period to the byte write enable inputs being sampled.
  4.  $\overline{ADV}$  must be HIGH to permit a WRITE to the loaded address.
  5. Full width WRITE can be initiated by  $\overline{GW}$  LOW or  $\overline{GW}$  HIGH and  $\overline{BWE}$ ,  $\overline{BW1}$ - $\overline{BW4}$  LOW.

**PIPELINE READ/WRITE TIMING**



- Note:**
1. Q(A4) refers to output from address A4. Q (A4 + 1) refers to output from the next internal burst address following A4.
  2.  $\overline{CE2}$  and CE2 have timing identical to  $\overline{CE}$ . On this diagram, when  $\overline{CE}$  is LOW,  $\overline{CE2}$  is LOW and CE2 is HIGH. When  $\overline{CE}$  is HIGH,  $\overline{CE2}$  is HIGH and CE2 is LOW.
  3. The data bus (Q) remains in High-Z following a WRITE cycle unless an  $\overline{ADSP}$ ,  $\overline{ADSC}$  or  $\overline{ADV}$  cycle is performed.
  4.  $\overline{GW}$  is HIGH.
  5. Back-to-back READs may be controlled by either  $\overline{ADSP}$  or  $\overline{ADSC}$ .

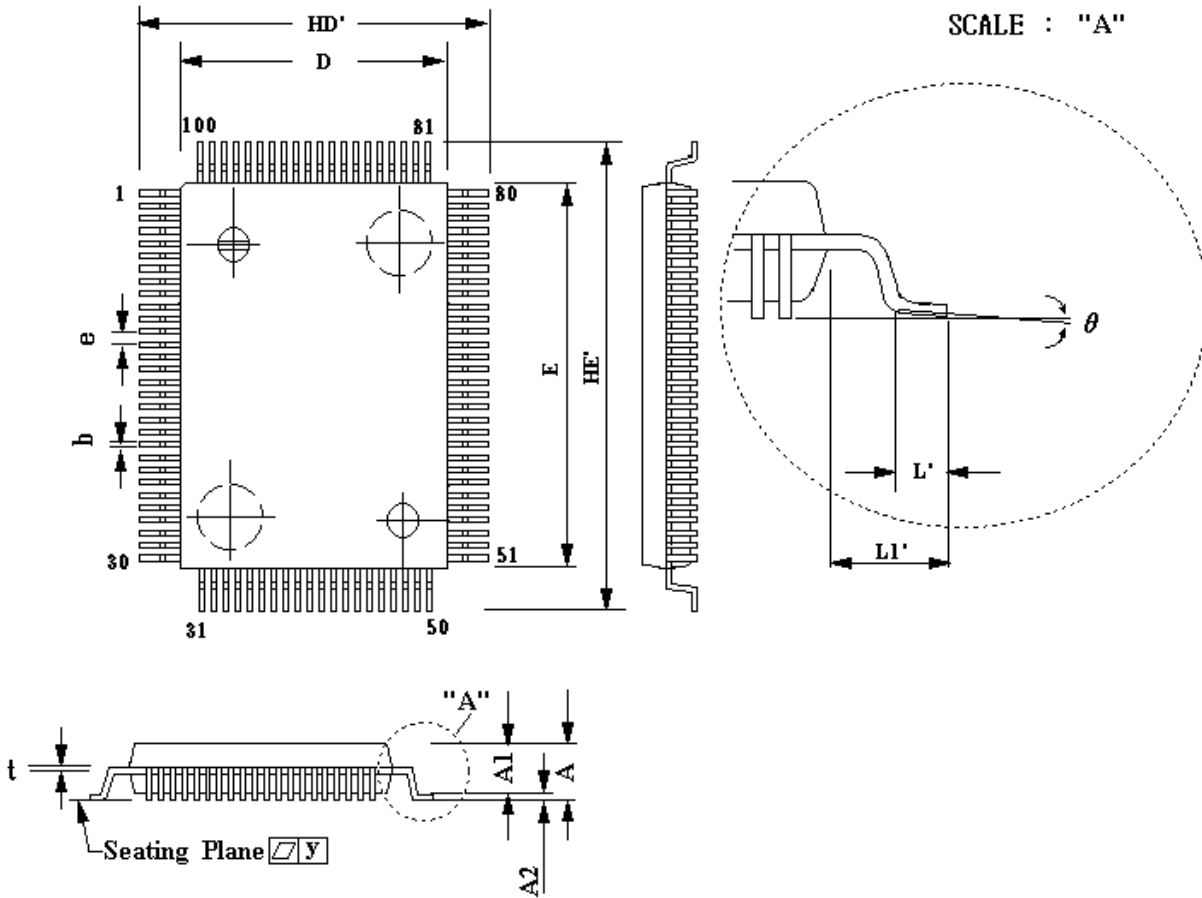
**FLOW-THROUGH READ/WRITE TIMING**



- Note:**
1. Q(A4) refers to output from address A4. Q (A4 + 1) refers to output from the next internal burst address following A4.
  2.  $\overline{CE2}$  and  $\overline{CE2}$  have timing identical to  $\overline{CE}$ . On this diagram, when  $\overline{CE}$  is LOW,  $\overline{CE2}$  is LOW and  $\overline{CE2}$  is HIGH. When  $\overline{CE}$  is HIGH,  $\overline{CE2}$  is HIGH and  $\overline{CE2}$  is LOW.
  3. The data bus (Q) remains in High-Z following a WRITE cycle unless an  $\overline{ADSP}$ ,  $\overline{ADSC}$  or  $\overline{ADV}$  cycle is performed.
  4.  $\overline{GW}$  is HIGH.
  5. Back-to-back READs may be controlled by either  $\overline{ADSP}$  or  $\overline{ADSC}$ .

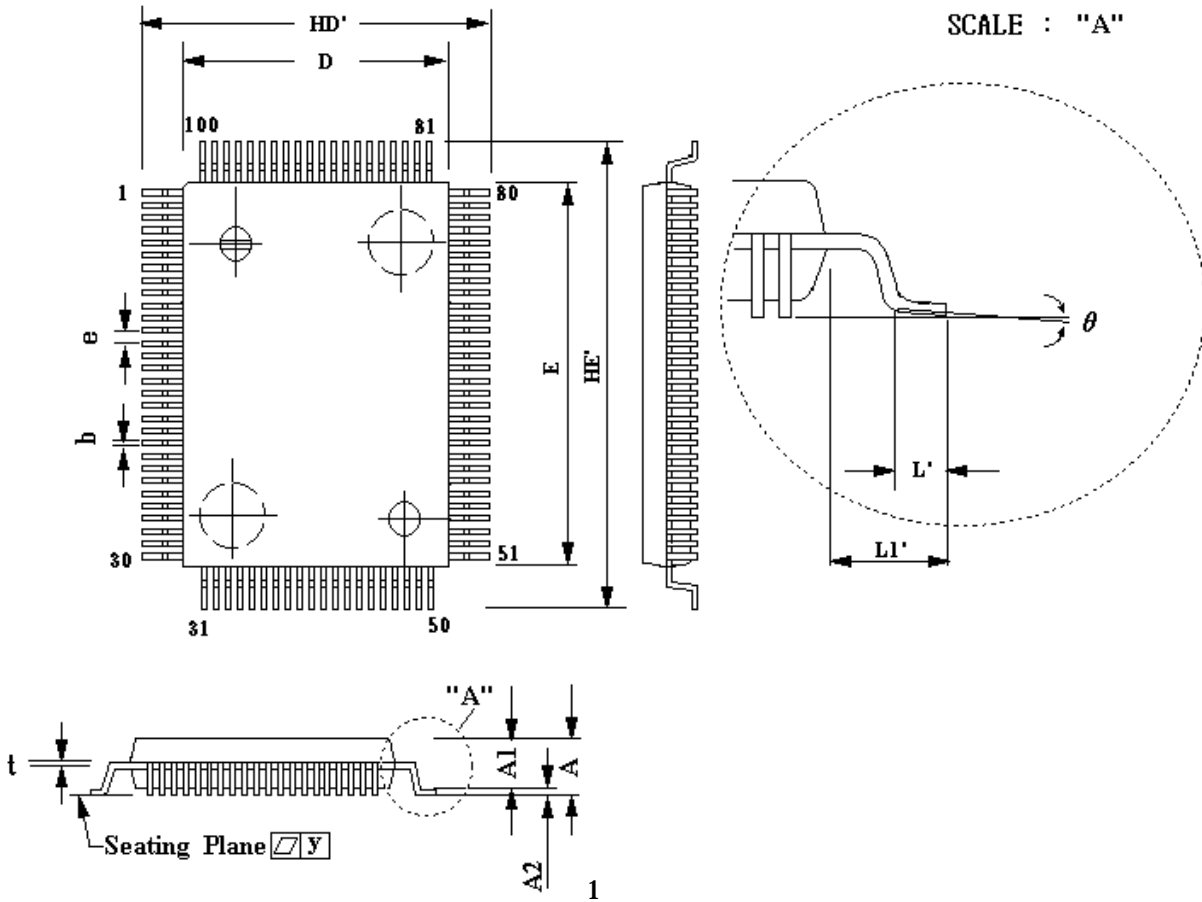


**PACKAGE DIMENSIONS**  
**100-LEAD QFP SSRAM (14 x 20 mm)**



SYMBOL	DIMENSIONS IN INCHES	DIMENTION IN MM
A	0.130(MAX)	3.302(MAX)
A1	0.112»±0.005	2.845»±0.127
A2	0.004(MIN)	0.102(MIN)
b	0.012+0.004-0.002	0.300+0.102-0.051
D	0.551»±0.005	14.000»±0.127
E	0.787»±0.005	20.000»±0.127
e	0.026»±0.006	0.650»±0.152
HD'	0.677»±0.008	17.200»±0.203
HE'	0.913»±0.008	23.200»±0.203
L'	0.032»±0.008	0.800»±0.203
L1'	0.063»±0.008	1.600»±0.203
t	0.006+0.004-0.002	0.150+0.102-0.051
y	0.004(MAX)	0.102(MAX)
½t	0»T~12»T	0»T~12»T

**PACKAGE DIMENSIONS**  
**100-LEAD TQFP SSRAM (14 x 20 mm)**



SYMBOL	DIMENSIONS IN INCHES	DIMENTION IN MM
A	0.063(MAX)	1.600(MAX)
A1	0.055»±0.005	1.400»±0.050
A2	0.002(MIN)	0.050(MIN)
b	0.013+0.002-0.004	0.320+0.060-0.100
D	0.551»±0.004	14.000»±0.100
E	0.787»±0.004	20.000»±0.100
e	0.026»±0.006	0.650»±0.152
HD'	0.630»±0.004	16.000»±0.100
HE'	0.866»±0.004	22.000»±0.100
L'	0.024»±0.006	0.600»±0.150
L1'	0.039»±0.006	1.000»±0.150
t	0.006»±0.002	0.150+0.050-0.060
y	0.003(MAX)	0.080(MAX)
½t	0»T~7»T	0»T~7»T

**PIN DESCRIPTIONS**

PINS	SYM.	TYPE	DESCRIPTION
32-37, 44-48, 81, 82, 99, 100,	A0-A14	Input-Synchronous	Addresses: These inputs are registered and must meet the setup and hold times around the rising edge of CLK. The burst counter generates internal addresses associated with A0 and A1, during burst cycle and wait cycle.
93-96	$\overline{BW1}$ $\overline{BW2}$ $\overline{BW3}$ $\overline{BW4}$	Input-Synchronous	Byte Writes: A byte write is LOW for a WRITE cycle and HIGH for a READ cycle. $\overline{BW1}$ controls DQ1-DQ8. $\overline{BW2}$ controls DQ9-DQ16. $\overline{BW3}$ controls DQ17-DQ24. $\overline{BW4}$ controls DQ25-DQ32. Data I/O are high impedance if either of these inputs are LOW, conditioned by $\overline{BWE}$ being LOW.
87	$\overline{BWE}$	Input-Synchronous	Write Enable: This active LOW input gates byte write operations and must meet the setup and hold times around the rising edge of CLK.
88	$\overline{GW}$	Input-Synchronous	Global Write: This active LOW input allows a full 32-bit WRITE to occur independent of the $\overline{BWE}$ and $\overline{BWn}$ lines and must meet the setup and hold times around the rising edge of CLK.
89	CLK	Input-Synchronous	Clock: This signal registers the addresses, data, chip enables, writecontrol and burst control inputs on its rising edge. All synchronous inputs must meet setup and hold times around the clock's rising edge.
98	$\overline{CE}$	Input-Synchronous	Synchronous Chip Enable: This active LOW input is used to enable the device and conditions internal use of $\overline{ADSP}$ . This input is sampled only when a new external address is loaded.
92	$\overline{CE2}$	Input-Synchronous	Synchronous Chip Enable: This active LOW input is used to enable the device. This input is sampled only when a new external address is loaded. This input can be used for memory depth expansion.
97	CE2	Input-Synchronous	Synchronous Chip Enable: This active HIGH input is used to enable the device. This input is sampled only when a new external address is loaded. This input can be used for memory depth expansion.
86	$\overline{OE}$	Input	Output enable: This active LOW asynchronous input enables the data output drivers.
83	$\overline{ADV}$	Input-Synchronous	Address Advance: This active LOW input is used to control the internal burst counter. A HIGH on this pin generates wait cycle (no address advance).
84	$\overline{ADSP}$	Input-Synchronous	Address Status Processor: This active LOW input, along with $\overline{CE}$ being LOW, causes a new external address to be registered and a READ cycle is initiated using the new address.

**PIN DESCRIPTIONS (continued)**

QFP PINS	SYM.	TYPE	DESCRIPTION
85	$\overline{\text{ADSC}}$	Input-Synchronous	Address Status Controller: This active LOW input causes device to be deselected or selected along with new external address to be registered. A READ or WRITE cycle is initiated depending upon write control inputs.
14	$\overline{\text{FT}}$	Input-Static	A LOW on this pin selects in flow-through mode. A NC or HIGH on this pin selects in pipeline mode.
31	MODE	Input-Static	Mode: This input selects the burst sequence. A LOW on this pin selects LINEAR BURST. A NC or HIGH on this pin selects INTERLEAVED BURST. Do not alter input state while device is operating.
64	ZZ	Input	Snooze Enable: This active HIGH asynchronous input causes the device to enter a low-power standby mode in which all data in the memory array is retained.
2, 3, 6-9, 12, 13, 18, 19, 22-25, 28, 29, 52, 53, 56-59, 62, 63, 68, 69, 72-75, 78, 79,	DQ1-DQ32	Input/Output	Data Inputs/Outputs: First Byte is DQ1-DQ8. Second Byte is DQ9-DQ16. Third Byte is DQ17-DQ24. Fourth Byte is DQ25-DQ32. Input data must meet setup and hold times around the rising edge of CLK.
15,41,65,91	VCC	Supply	Power Supply: 3.3V +10%/-5%
17,40,67,90	VSS	Ground	Ground: GND
4,11,20,27,54, 61,70,77	VCCQ	I/O Supply	Output Buffer Supply: 3.3V +10%/-5%
5,10,21,26,55, 60,71,76	VSSQ	I/O Ground	Output Buffer Ground: GND
1,16,30,38, 39,42,43,49, 50, 51, 66,80	NC	-	No Connect: These signals are not internally connected.

**INTERLEAVED BURST ADDRESS TABLE (MODE = NC/VCC)**

First Address (external)	Second Address (internal)	Third Address (internal)	Fourth Address (internal)
A...A00	A...A01	A...A10	A...A11
A...A01	A...A00	A...A11	A...A10
A...A10	A...A11	A...A00	A...A01
A...A11	A...A10	A...A01	A...A00

**LINEAR BURST ADDRESS TABLE (MODE = GND)**

First Address (external)	Second Address (internal)	Third Address (internal)	Fourth Address (internal)
A...A00	A...A01	A...A10	A...A11
A...A01	A...A10	A...A11	A...A00
A...A10	A...A11	A...A00	A...A01
A...A11	A...A00	A...A01	A...A10

**PARTIAL TRUTH TABLE FOR READ/WRITE**

Function	$\overline{GW}$	$\overline{BWE}$	$\overline{BW1}$	$\overline{BW2}$	$\overline{BW3}$	$\overline{BW4}$
READ	H	H	X	X	X	X
READ	H	L	H	H	H	H
WRITE one byte	H	L	L	H	H	H
WRITE all byte	H	L	L	L	L	L
WRITE all byte	L	X	X	X	X	X

**TRUTH TABLE**

OPERATION	ADDRESS USED	$\overline{CE}$	$\overline{CE2}$	CE2	ZZ	ADSP	$\overline{ADSC}$	$\overline{ADV}$	$\overline{WRITE}$	$\overline{OE}$	CLK	DQ
Deselected Cycle, Power Down	None	H	X	X	L	X	L	X	X	X	L-H	High-Z
Deselected Cycle, Power Down	None	L	X	L	L	L	X	X	X	X	L-H	High-Z
Deselected Cycle, Power Down	None	L	H	X	L	L	X	X	X	X	L-H	High-Z
Deselected Cycle, Power Down	None	L	X	L	L	H	L	X	X	X	L-H	High-Z
Deselected Cycle, Power Down	None	L	H	X	L	H	L	X	X	X	L-H	High-Z
Snooze Cycle, Power Down	None	X	X	X	H	X	X	X	X	X	X	High-Z
READ Cycle, Begin Burst	External	L	L	H	L	L	X	X	X	L	L-H	Q
READ Cycle, Begin Burst	External	L	L	H	L	L	X	X	X	H	L-H	High-Z
WRITE Cycle, Begin Burst	External	L	L	H	L	H	L	X	L	X	L-H	D
READ Cycle, Begin Burst	External	L	L	H	L	H	L	X	H	L	L-H	Q
READ Cycle, Begin Burst	External	L	L	H	L	H	L	X	H	H	L-H	High-Z
READ Cycle, Continue Burst	Next	X	X	X	L	H	H	L	H	L	L-H	Q
READ Cycle, Continue Burst	Next	X	X	X	L	H	H	L	H	H	L-H	High-Z
READ Cycle, Continue Burst	Next	H	X	X	L	X	H	L	H	L	L-H	Q
READ Cycle, Continue Burst	Next	H	X	X	L	X	H	L	H	H	L-H	High-Z
WRITE Cycle, Continue Burst	Next	X	X	X	L	H	H	L	L	X	L-H	D
WRITE Cycle, Continue Burst	Next	H	X	X	L	X	H	L	L	X	L-H	D
READ Cycle, Suspend Burst	Current	X	X	X	L	H	H	H	H	L	L-H	Q
READ Cycle, Suspend Burst	Current	X	X	X	L	H	H	H	H	H	L-H	High-Z
READ Cycle, Suspend Burst	Current	H	X	X	L	X	H	H	H	L	L-H	Q
READ Cycle, Suspend Burst	Current	H	X	X	L	X	H	H	H	H	L-H	High-Z
WRITE Cycle, Suspend Burst	Current	X	X	X	L	H	H	H	L	X	L-H	D
WRITE Cycle, Suspend Burst	Current	H	X	X	L	X	H	H	L	X	L-H	D

- Note:**
1. X means "don't care." H means logic HIGH. L means logic LOW.  $\overline{WRITE} = L$  means any one or more byte write enable signals ( $\overline{BW1}$ ,  $\overline{BW2}$ ,  $\overline{BW3}$  or  $\overline{BW4}$ ) and  $\overline{BWE}$  are LOW, or  $\overline{GW}$  equals LOW.  $\overline{WRITE} = H$  means all byte write signal are HIGH.
  2.  $\overline{BW1}$  = enables write to DQ1-DQ8.  $\overline{BW2}$  = enables write to DQ9-DQ16.  $\overline{BW3}$  = enables write to DQ17-DQ24.  $\overline{BW4}$  = enables write to DQ25-DQ32.
  3. All inputs except  $\overline{OE}$  and ZZ must meet setup and hold times around the rising edge (LOW to HIGH) of CLK.
  4. Suspending burst generates wait cycle.
  5. For a write operation following a read operation,  $\overline{OE}$  must be HIGH before the input data required setup time plus High-Z time for  $\overline{OE}$  and staying HIGH throughout the input data hold time.
  6. This device contains circuitry that will ensure the outputs will be High-Z during power-up.
  7. ADSP = LOW along with chip being selected always initiates an internal READ cycle at the L-H edge of CLK. A WRITE cycle can be performed by setting WRITE LOW for the CLK L-H edge of the subsequent wait cycle. Refer to WRITE timing diagram for clarification.

**ABSOLUTE MAXIMUM RATINGS\***

Voltage on VCC Supply Relative to VSS.  
 .....-0.5V to +4.6V  
 I/O Supply Voltage VccQ ..... Vss -0.5V to Vcc  
 VIN..... -0.5V to Vcc +0.5V  
 Storage Temperature (plastic)..... -55°C to +150°C  
 Junction Temperature ..... +150°C  
 Power Dissipation ..... 1.0W  
 Short Circuit Output Current..... 100mA

\*Stresses greater than those listed under "Absolute Maximum Ratings" may cause permanent damage to the device. This is a stress rating only and functional operation of the device at these or any other conditions above those indicated in the operational sections of this specification is not implied. Exposure to absolute maximum rating conditions for extended periods may affect reliability.

**DC ELECTRICAL CHARACTERISTICS AND RECOMMENDED OPERATING CONDITIONS**

(0°C ≤ Ta ≤ 70°C; VCC = 3.3V +10%/-5% unless otherwise noted)

DESCRIPTION	CONDITIONS	SYM.	MIN	MAX	UNITS	NOTES
Input High (Logic) voltage		V <sub>IH</sub>	2	VCCQ + 0.3	V	1, 2
Input Low (Logic) voltage		V <sub>IL</sub>	-0.3	0.8	V	1, 2
Input Leakage Current	0V ≤ V <sub>IN</sub> ≤ VCC	I <sub>LI</sub>	-2	2	μA	14
Output Leakage Current	Output(s) disabled, 0V ≤ V <sub>OUT</sub> ≤ VCC	I <sub>LO</sub>	-2	2	μA	
Output High Voltage	I <sub>OH</sub> = -4.0 mA	V <sub>OH</sub>	2.4		V	1, 11
Output Low Voltage	I <sub>OL</sub> = 8.0 mA	V <sub>OL</sub>		0.4	V	1, 11
Supply Voltage		Vcc	3.1	3.6	V	1

DESCRIPTION	CONDITIONS	SYM.	TYP	MAX.			UNITS	NOTES
				-3.8	-4	-4.5		
Power Supply Current : Operating	Device selected; all inputs ≤ V <sub>IL</sub> or ≥ V <sub>IH</sub> ; cycle time ≥ t <sub>KC</sub> MIN; VCC = MAX; outputs open	I <sub>CC</sub>	TBD	250	200	150	mA	3, 12, 13
Power Supply Current: Idle	Device selected; $\overline{ADSC}, \overline{ADSP}, \overline{ADV}, \overline{GW}, \overline{BWE} \geq V_{IH}$ ; all other inputs ≤ V <sub>IL</sub> or ≥ V <sub>IH</sub> ; VCC = MAX; cycle time ≥ t <sub>KC</sub> MIN; outputs open	I <sub>SB1</sub>	TBD	60	60	60	mA	12, 13
CMOS Standby	Device deselected; VCC = MAX; all inputs ≤ VSS + 0.2 or ≥ VCC - 0.2; all inputs static; CLK frequency = 0	I <sub>SB2</sub>	TBD	10	10	10	mA	12, 13
TTL Standby	Device deselected; all inputs ≤ V <sub>IL</sub> or ≥ V <sub>IH</sub> ; all inputs static; VCC = MAX; CLK frequency = 0	I <sub>SB3</sub>	TBD	25	25	25	mA	12, 13
Clock Running	Device deselected; all inputs ≤ V <sub>IL</sub> or ≥ V <sub>IH</sub> ; VCC = MAX; CLK cycle time ≥ t <sub>KC</sub> MIN	I <sub>SB4</sub>	TBD	60	60	60	mA	12, 13

**AC ELECTRICAL CHARACTERISTICS** (Note 5) ( $0^{\circ}\text{C} \leq T_A \leq 70^{\circ}\text{C}$ ;  $V_{CC} = 3.3\text{V} \pm 0.3\text{V} / -0.165\text{V}$ )

DESCRIPTION	SYM.	-3.8		-4		-4.5		UNITS	NOTES
		MIN	MAX	MIN	MAX	MIN	MAX		
<b>Clock(pipeline)</b>									
Clock cycle time	t <sub>KC</sub>	6.6		7.5		8.5		ns	
Clock to output valid	t <sub>KQ</sub>		3.8		4		4.5		
Clock to output invalid	t <sub>KQX</sub>	1.5		2		2		ns	
Clock to output in Low-Z	t <sub>KQLZ</sub>	1.5		2		2		ns	
<b>Clock(flow-through)</b>									
Clock cycle time	t <sub>KC</sub>	10.5		15		15		ns	
Clock to output valid	t <sub>KQ</sub>		9.0		10		11		
Clock to output invalid	t <sub>KQX</sub>	3		3		3		ns	
Clock to output in Low-Z	t <sub>KQLZ</sub>	3		3		3		ns	
<b>Output Times</b>									
Clock HIGH time	t <sub>KH</sub>	1.8		1.9		2.0		ns	
Clock LOW time	t <sub>KL</sub>	1.8		1.9		2.0		ns	6, 7
Clock to output in High-Z	t <sub>KQHZ</sub>		5		5		5	ns	6, 7
OE to output valid	t <sub>OEQ</sub>		5		5		5	ns	9
OE to output in Low-Z	t <sub>OELZ</sub>	0		0		0		ns	6, 7
OE to output in High-Z	t <sub>OEHZ</sub>		5		5		5	ns	6, 7
<b>Setup Times</b>									
Address	t <sub>AS</sub>	1.7		2.0		2.0		ns	8, 10
Address Status( $\overline{\text{ADSC}}$ , $\overline{\text{ADSP}}$ )	t <sub>ADSS</sub>	1.7		2.0		2.0		ns	8, 10
Address Advance ( $\overline{\text{ADV}}$ )	t <sub>AAS</sub>	1.7		2.0		2.0		ns	8, 10
Byte Write Enables ( $\overline{\text{BW1}} \sim \overline{\text{BW4}}$ , $\overline{\text{BWE}}$ , $\overline{\text{GW}}$ )	t <sub>WS</sub>	1.7		2.0		2.0		ns	8, 10
Data-in	t <sub>DS</sub>	1.7		2.0		2.0		ns	8, 10
Chip Enables( $\overline{\text{CE}}$ , $\overline{\text{CE2}}$ , $\overline{\text{CE2}}$ )	t <sub>CES</sub>	1.7		2.0		2.0		ns	8, 10
<b>Hold Times</b>									
Address	t <sub>AH</sub>	0.5		0.5		0.5		ns	8, 10
Address Status( $\overline{\text{ADSC}}$ , $\overline{\text{ADSP}}$ )	t <sub>ADSH</sub>	0.5		0.5		0.5		ns	8, 10
Address Advance ( $\overline{\text{ADV}}$ )	t <sub>AAH</sub>	0.5		0.5		0.5		ns	8, 10
Byte Write Enables ( $\overline{\text{BW1}} \sim \overline{\text{BW4}}$ , $\overline{\text{BWE}}$ , $\overline{\text{GW}}$ )	t <sub>WH</sub>	0.5		0.5		0.5		ns	8, 10
Data-in	t <sub>DH</sub>	0.5		0.5		0.5		ns	8, 10
Chip Enables( $\overline{\text{CE}}$ , $\overline{\text{CE2}}$ , $\overline{\text{CE2}}$ )	t <sub>CEH</sub>	0.5		0.5		0.5		ns	8, 10



**CAPACITANCE**

DESCRIPTION	CONDITIONS	SYM.	TYP	MAX	UNITS	NOTES
Input Capacitance	T <sub>A</sub> = 25°C; f = 1 MHz VCC = 3.3V	C <sub>I</sub>	3	4	pF	4
Input/ Output Capacitance(DQ)		C <sub>O</sub>	6	7	pF	4

**THERMAL CONSIDERATION**

DESCRIPTION	CONDITIONS	SYM.	QFP TYP	UNITS	NOTES
Thermal Resistance - Junction to Ambient	Still air, soldered on 4.25x1.125 inch 4-layer PCB	Θ <sub>JA</sub>	20	°C/W	
Thermal Resistance - Junction to Case		Θ <sub>JB</sub>	1	°C/W	

**AC TEST CONDITIONS**

Input pulse levels	0V to 3.0V
Input rise and fall times	1.5ns
Input timing reference levels	1.5V
Output reference levels	1.5V
Output load	See Figures 1 and 2

**Notes:**

- All voltages referenced to VSS (GND).
- Overshoot: V<sub>IH</sub> ≤ +3.6 V for t ≤ t<sub>KC</sub>/2.  
Undershoot: V<sub>IL</sub> ≤ -1.0 V for t ≤ t<sub>KC</sub>/2.
- I<sub>cc</sub> is given with no output current. I<sub>cc</sub> increases with greater output loading and faster cycle times.
- This parameter is sampled.
- Test conditions as specified with the output loading as shown in Fig. 1 unless otherwise noted.
- Output loading is specified with CL = 5 pF as in Fig. 2.

- At any given temperature and voltage condition, t<sub>KQHZ</sub> is less than t<sub>KQLZ</sub> and t<sub>OEHZ</sub> is less than t<sub>OELZ</sub>.
- A READ cycle is defined by byte write enables all HIGH or ADSP LOW along with chip enables being active for the required setup and hold times. A WRITE cycle is defined by at one byte or all byte WRITE per READ/WRITE TRUTH TABLE.
- OE is a "don't care" when a byte write enable is sampled LOW.
- This is a synchronous device. All synchronous inputs must meet specified setup and hold time, except for "don't care" as defined in the truth table.
- AC I/O curves are available upon request.
- "Device Deselected" means the device is in POWER-DOWN mode as defined in the truth table. "Device Selected" means the device is active.
- Typical values are measured at 3.3V, 25°C and 20ns cycle time.
- MODE pin has an internal pull-up and exhibits an input leakage current of ± 10μA.

**OUTPUT LOADS**

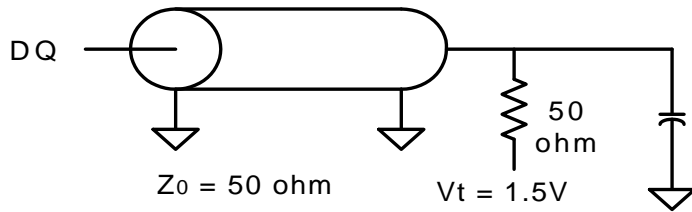


Fig. 1 output load equivalent

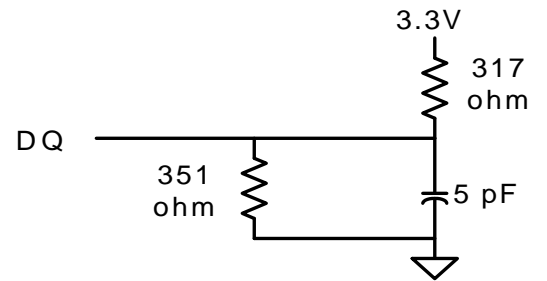


Fig. 2 output load equivalent

**SNOOZE MODE**

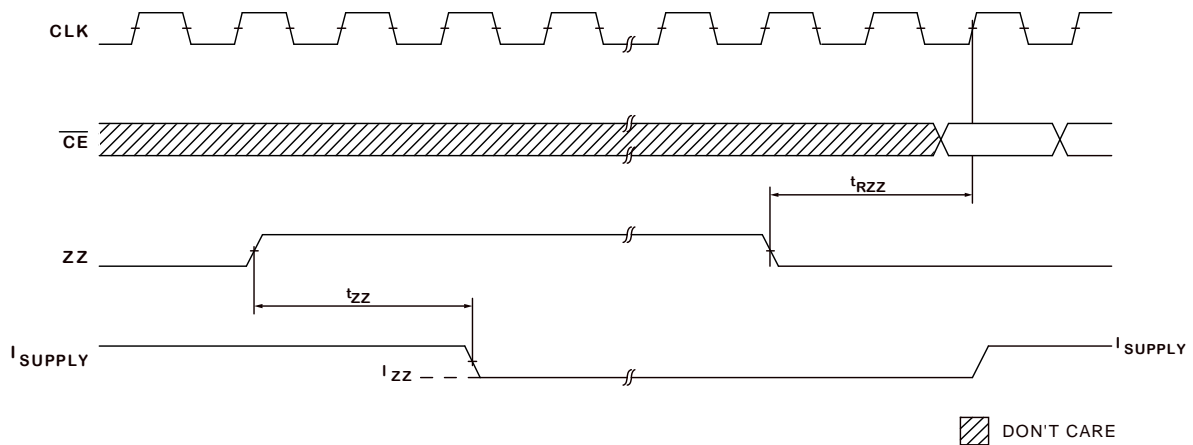
SNOOZE MODE is a low current, “power down” mode in which the device is deselected and current is reduced to  $I_{ZZ}$ . The duration of SNOOZE MODE is dictated by the length of time the ZZ pin is in a HIGH state. After entering SNOOZE MODE, the clock and all other inputs are ignored. The ZZ pin (pin 64) is an asynchronous, active HIGH input that causes the

device to enter SNOOZE MODE. When the ZZ pin becomes a logic HIGH,  $I_{ZZ}$  is guaranteed after the setup time  $t_{ZZ}$  is met. Any access pending when entering SNOOZE MODE is not guaranteed to successfully complete. Therefore, SNOOZE MODE must not be initiated until valid pending operations are completed.

**SNOOZE MODE ELECTRICAL CHARACTERISTICS**

DESCRIPTION	CONDITIONS	SYMBOL	MIN	MAX	UNITS	NOTES
Current during SNOOZE MODE	$ZZ \geq V_{IH}$	$I_{ZZ}$		5	mA	
ZZ HIGH to SNOOZE MODE time		$t_{ZZ}$	$2(t_{KC})$		ns	4
SNOOZE MODE Operation Recovery Time		$t_{RZZ}$		$2(t_{KC})$	ns	4

**SNOOZE MODE WAVEFORM**



- Note:**
1. The  $\overline{CE}$  signal shown above refers to a TRUE state on all chip selects for the device.
  2. All other inputs held to static CMOS levels ( $V_{IN} \leq V_{SS} + 0.2 \text{ V}$  or  $\geq V_{CC} - 0.2 \text{ V}$ ).